

COREFLEX WATERPROOFING

FOUNDATION SLAB

I-Beam Penetration

DETAIL

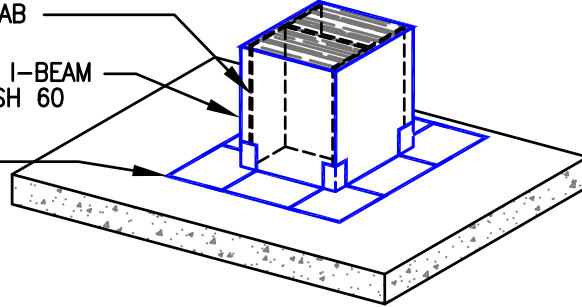
CF-131

NO SCALE - 06/10

I-BEAM THROUGH MUD SLAB

COREFLASH NR CAP OVER I-BEAM
AND WELDED TO COREFLASH 60

UNIVERSAL CORNER OR
COREFLASH NR PATCHES

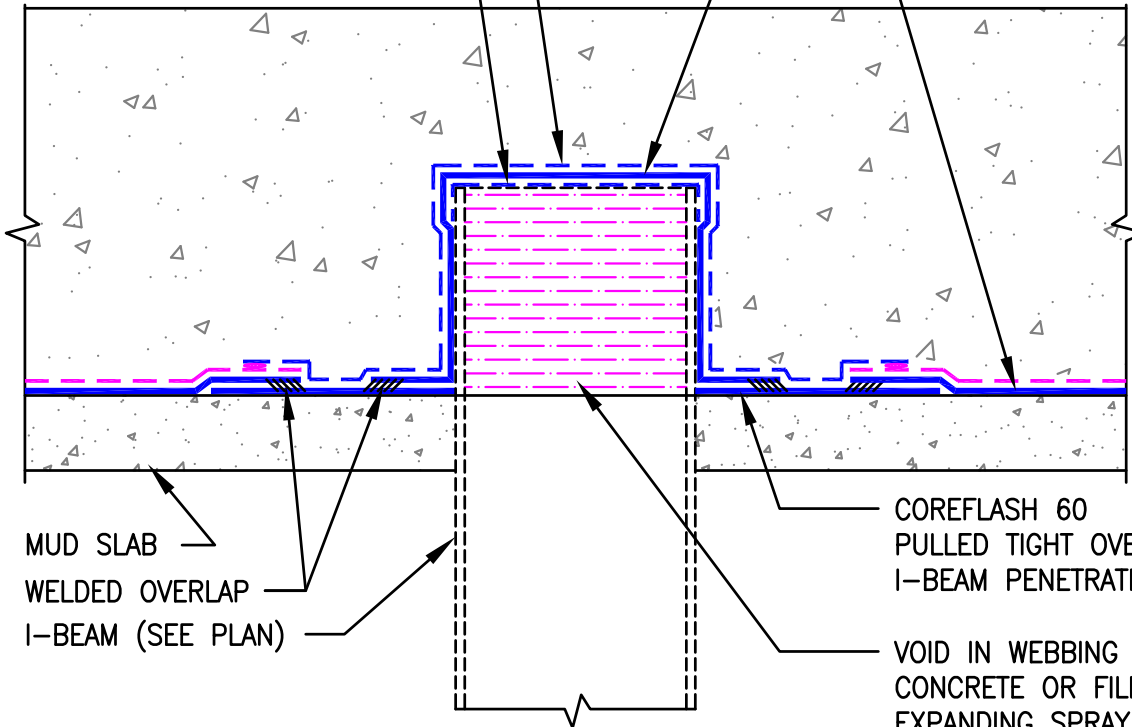


CORTEX ADHERED WITH CETSEAL

CORTEX CAP
OVER TOP OF I-BEAM
(CUSHION/PROTECTION LAYER)

COREFLASH NR
FIELD FABRICATED CAP
OVER I-BEAM

COREFLEX 60



MUD SLAB
WELDED OVERLAP
I-BEAM (SEE PLAN)

COREFLASH 60
PULLED TIGHT OVER
I-BEAM PENETRATION

VOID IN WEBBING FILLED WITH
CONCRETE OR FILL WITH 2-PART
EXPANDING SPRAY FOAM (MIN 20psi)
AFTER INSTALLING COREFLASH NR

INSTALL UNDER SLAB COREFLEX 60 WITH YELLOW MEMBRANE SIDE DOWN

This information is based on data and knowledge considered to be true and accurate. The information is offered for the users' consideration, verification, and requires project designer's approval before installation. CETCO does not warrant the results obtained and assumes no liability for the use of the information. Please contact CETCO with any questions or deviations from this information. CETCO waterproofing products are not expansion joint materials. Expansion joints should be sealed with a proper expansion joint material by others. This information is subject to change.



2870 Forbs Avenue, Hoffman Estates, IL 60192 USA
tel 847.851.1800 fax (847) 851.1371 <http://www.cetco.com>
800.527.9948 email: field.services@cetco.com