

COREFLEX WATERPROOFING

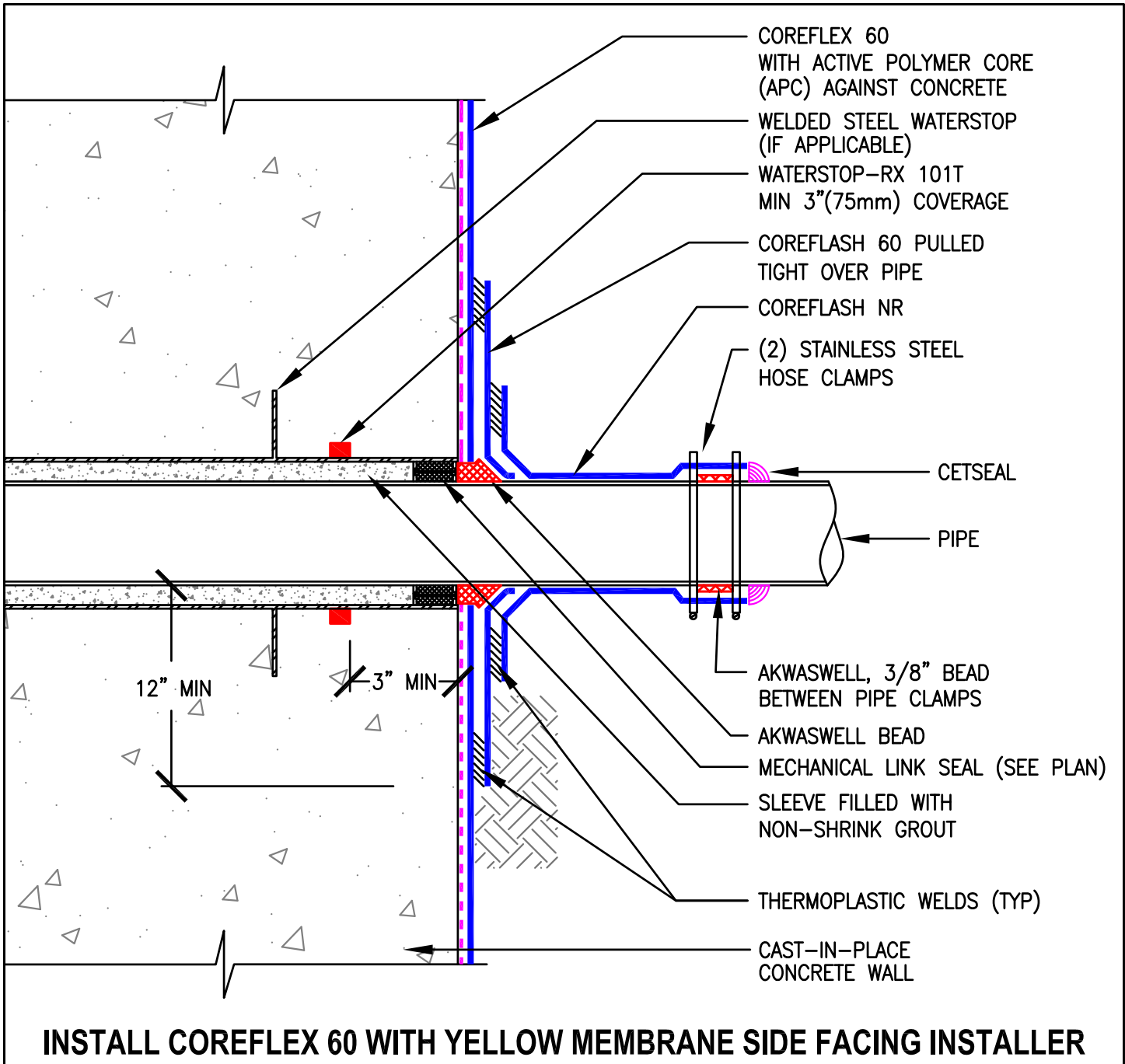
FOUNDATION WALL

Sleeved Pipe Penetration

DETAIL

CF-205

NO SCALE - 06/10



This information is based on data and knowledge considered to be true and accurate. The information is offered for the users' consideration, verification, and requires project designer's approval before installation. CETCO does not warrant the results obtained and assumes no liability for the use of the information. Please contact CETCO with any questions or deviations from this information. CETCO waterproofing products are not expansion joint materials. Expansion joints should be sealed with a proper expansion joint material by others. This information is subject to change.



2870 Forbs Avenue, Hoffman Estates, IL 60192 USA
tel 847.851.1800 fax (847) 851.1371 <http://www.cetco.com>
800.527.9948 email: field.services@cetco.com