

ULTRASEAL WATERPROOFING

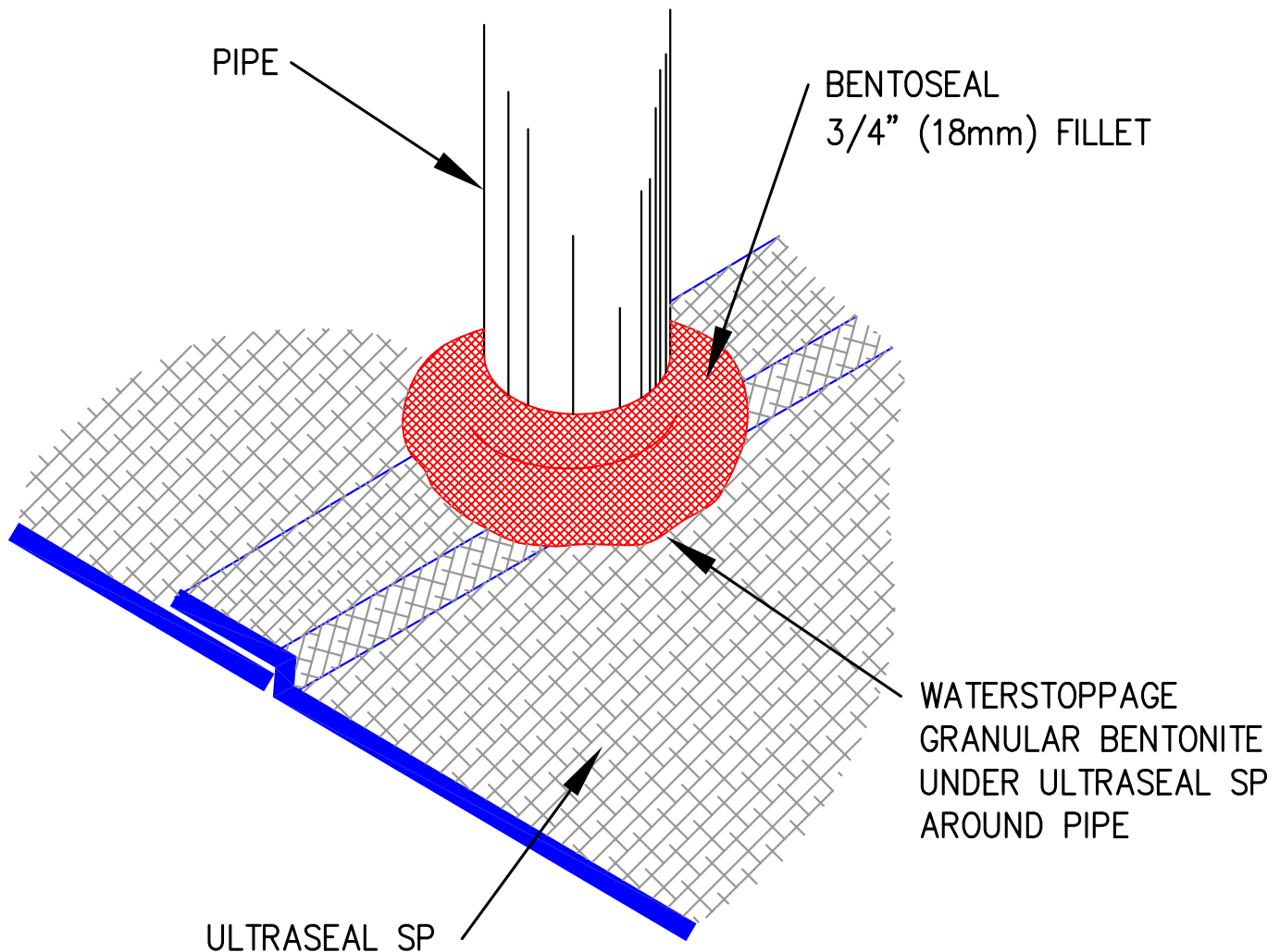
FOUNDATION DETAIL

Typical Penetration

DETAIL

US-112

NO SCALE - 01/05



INSTALL ULTRASEAL SP WITH TAN GEOTEXTILE SIDE UP

This information is based on data and knowledge considered to be true and accurate. The information is offered for the users' consideration and verification, but CETCO does not warrant the results obtained and assumes no liability for the use of the information. The information is subject to change without notice. Please contact CETCO with any questions or deviations from this information. CETCO waterproofing products are not expansion joint materials. Expansion joints should be sealed with a proper expansion joint material by others.

CETCO[®]

BUILDING MATERIALS GROUP

1500 West Shure Drive Arlington Heights, IL 60004-1440 USA
tel (847) 392.5800 fax (847) 506.6195 <http://www.cetco.com>
(800) 527.9948