

# VOLTEX DS WATERPROOFING

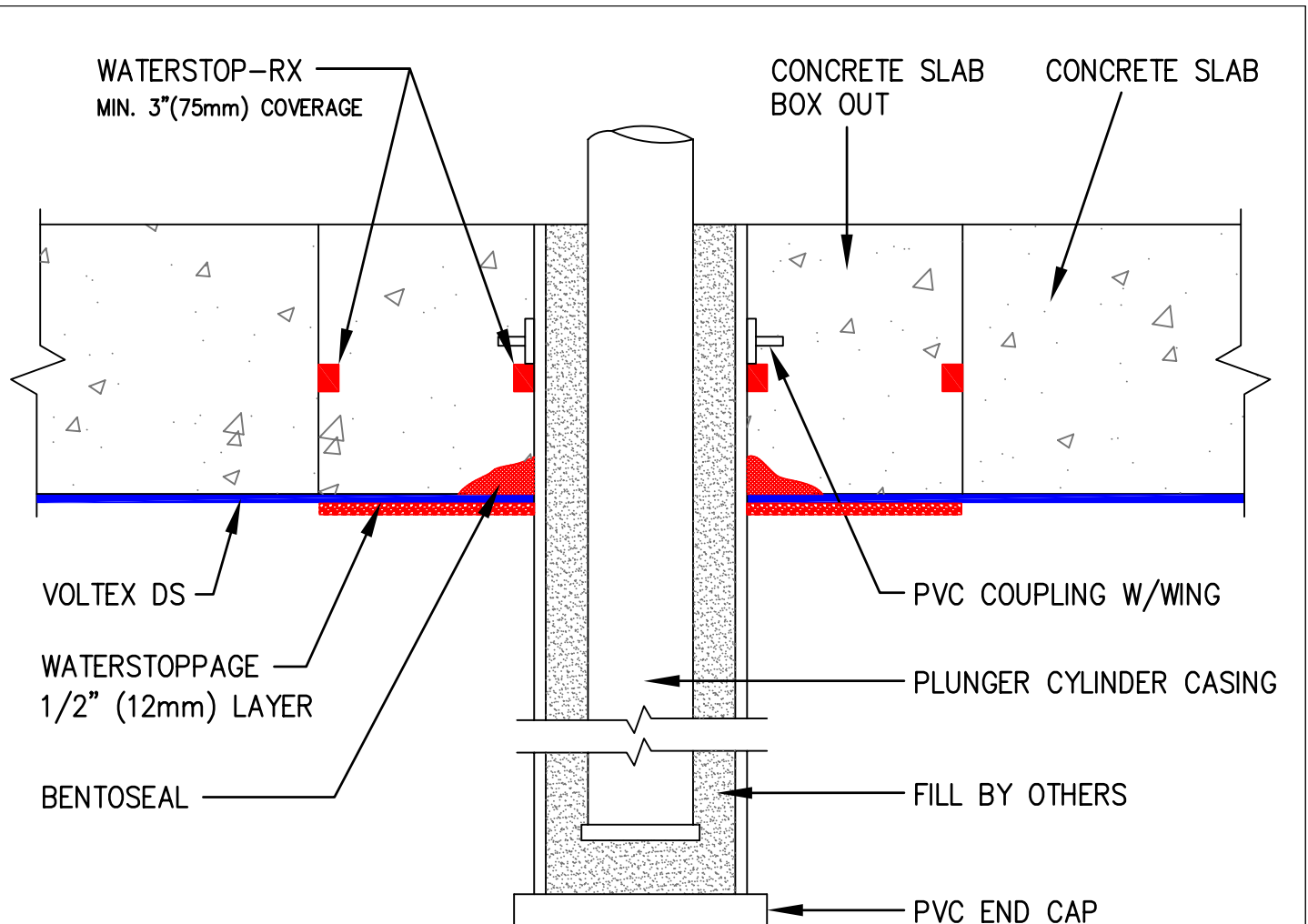
# DETAIL

## FOUNDATION DETAIL

## DS-124

### Elevator Lift Plunger Penetration

NO SCALE - 1/05



NOTE: VOLTEX DS WATERPROOFING DESIGN IS INTENDED TO STOP WATER PENETRATION AROUND THE OUTSIDE OF THE PVC PIPE HOUSING. WATER TIGHTNESS OF THE PVC PIPE AND PLUNGER CYLINDER IS THE RESPONSIBILITY OF OTHERS.

**INSTALL VOLTEX DS WITH DARK GRAY (WOVEN) GEOTEXTILE SIDE UP  
USE WB-ADHESIVE TO SECURE WATERSTOP-RX**

This information is based on data and knowledge considered to be true and accurate. The information is offered for the users' consideration and verification, but CETCO does not warrant the results obtained and assumes no liability for the use of the information. The information is subject to change without notice. Please contact CETCO with any questions or deviations from this information. CETCO waterproofing products are not expansion joint materials. Expansion joints should be sealed with a proper expansion joint material by others.



**BUILDING MATERIALS GROUP**

1500 West Shure Drive Arlington Heights, IL 60004-1440 USA  
tel (847) 392.5800 fax (847) 506.6195 <http://www.cetco.com>  
(800) 527.9948